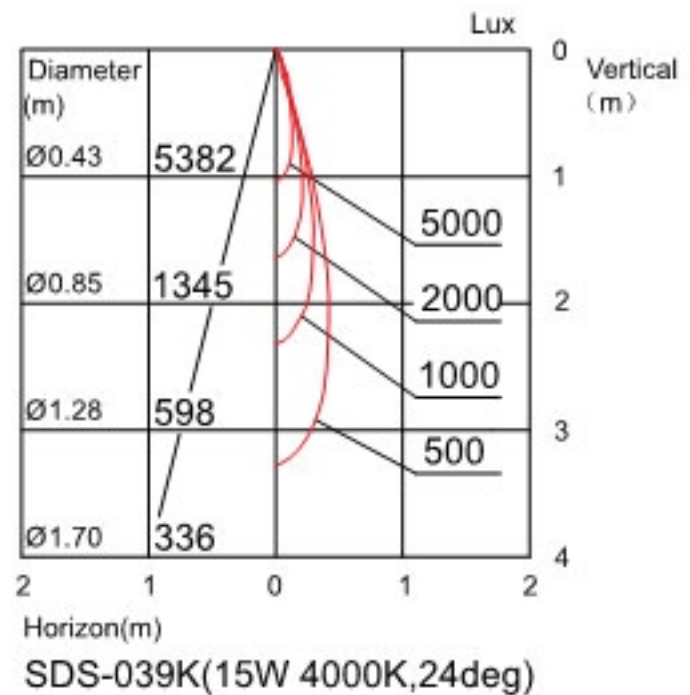
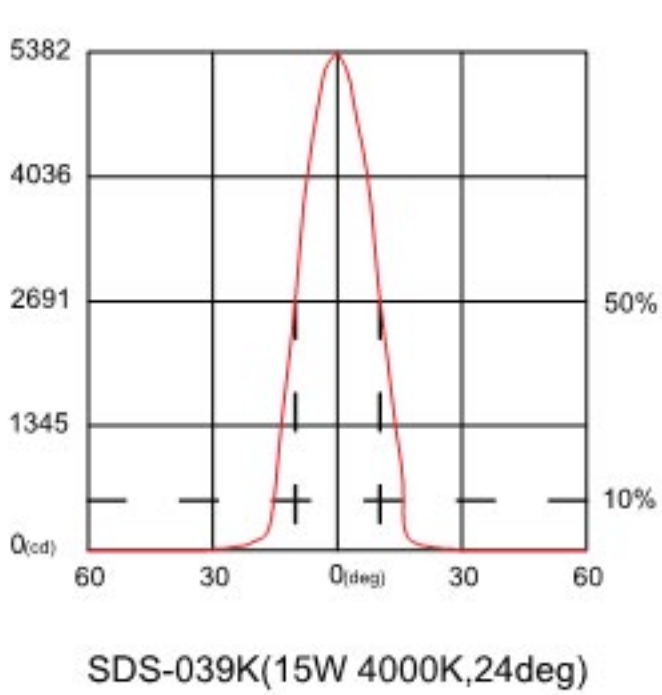


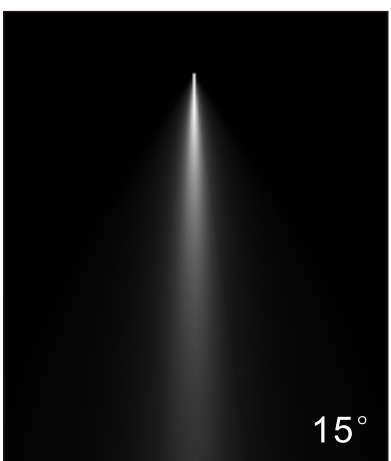


Black
  White
  Silver

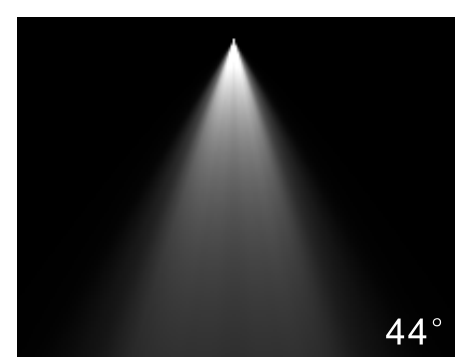
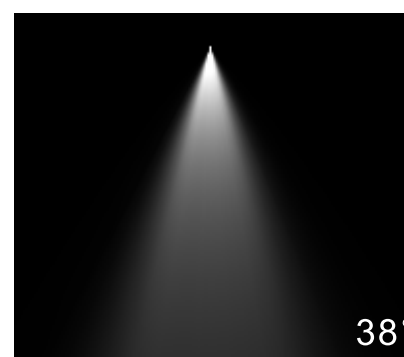
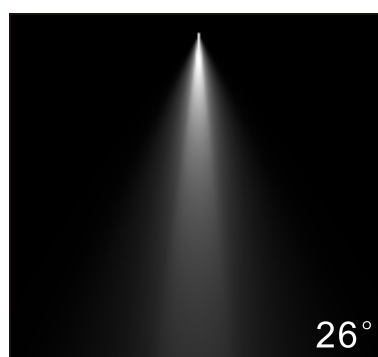
Product Code	Power[W]	ColorTemperature[K]	Beam Angle[ ° ]	Lumen[lm]	CRI	Driver	Expected Life	Rating
AL-TL-039K	15	2700~5000	15°/26°/38°/44°	1000~1200	Min80~90	Include	50,000hours	IP 44
AL-TL-039K	20	2700~5000	15°/26°/38°/44°	1900~2100	Min80~90	Include	50,000hours	IP 44
AL-TL-039K	30	2700~5000	15°/26°/38°/44°	2700~2900	Min80~90	Include	50,000hours	IP 44



## Beam Angle

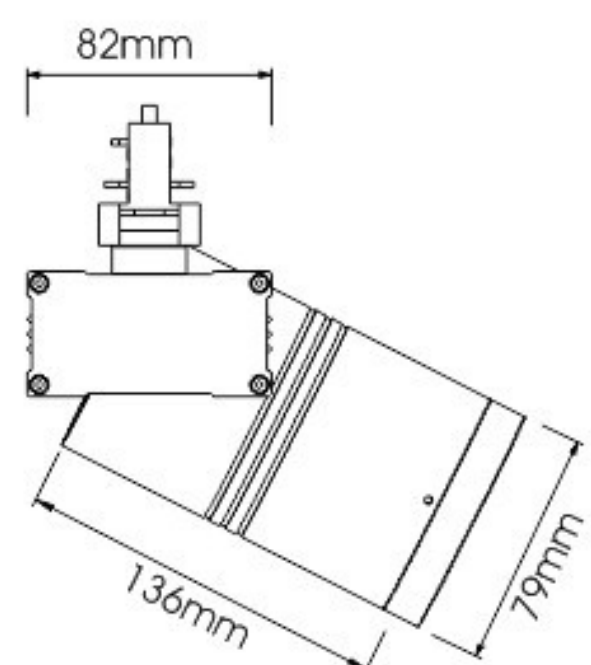
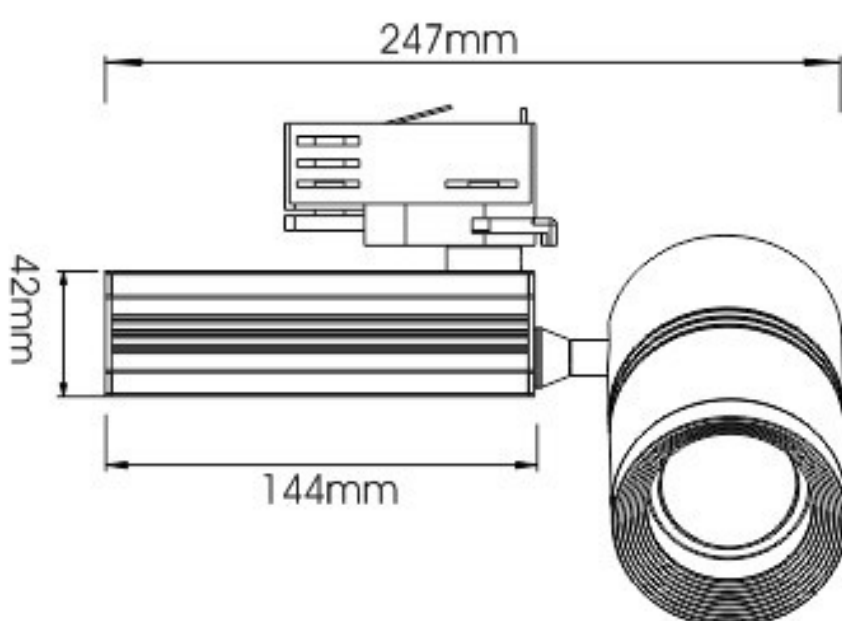


This is the standard characteristic for accent lighting for objects of all kinds, especially to reveal the three-dimensional shape. Beam angle 10°-20°.



Used for efficient accentuation of large objects or to uniformly emphasise a complete spatial zone. Beam angle 25°-45°.

## Dimension



**3** years warranty